

TXROLLER

PRODUCT CATALOG



Hebei TongXiang Conveyor Machinery Co.,Ltd.
www.txroller.com

CONTENT

P01 Company Profile

P02 Photo Gallery

P03 Photo Gallery

P04 Type of Carrying

P05 Type of Return

P06 Product Classification

P07 Shaft Type

P08 Carrier Roller

P09 Impact Roller

P10 HDPE Roller

P11 Return Roller

P12 Rubber Spiral Return Roller

P13 Steel Spiral Return Roller

P14 Rubber Disc Return Roller

P15 Trough Carrier & Impact Stand

P16 Transition Stand

P17 Self-aligning Carrier Stand

P18 Self-aligning Return Stand

P19 Self-aligning V Return Stand

P20 Garland Roller

P21 Pulley



TongXiang Roller

Hebei TongXiang Conveyor Machinery Co.,Ltd.

Add: No.8 Chuangye Road, Zaoqiang County, Hengshui City, Hebei Province,China 053000

Tel: +86-311-6656 0874 / 6656 0831

Mobile: +86-136 0321 6223

Hebei TongXiang Conveyor Machinery Co.,Ltd. is a modern company,founded in 2004, manufacture conveyor rollers & accessories, including rollers, pulleys and roller frames, widely used in bulk material handling industries.

In addition,we can fabricate idlers rollers in OEM service. Also manufacture in different standards,such as JIS CEMA DIN SABS AS standard, etc.With more than ten years' experience and professional engineers,our products have exported to many countries all over the world,especially USA, Canada, UK, Denmark, Greece, South America, Australia, Asia, South Africa and Middle East, and got good feedback and a long term cooperation relationship with them.

Together,we make it better. As the forefront of idler technology, design and construction,the primary objective of the company is to supply idlers, idler technology, pulleys and conveyor components as a front-line product.

TXROLLER

PRODUCT DISPLAY



STEEL ROLLER



HDPE ROLLER



CARRIER ROLLER



RUBBER DISC ROLLER



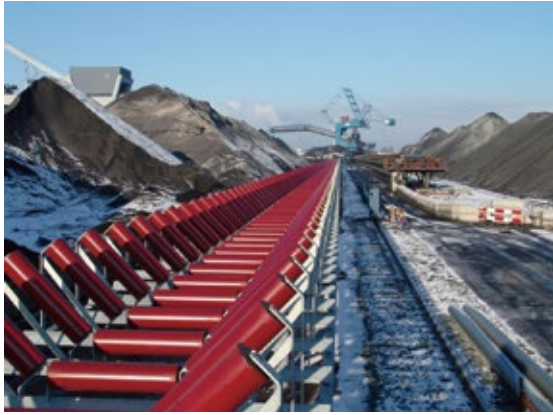
TROUGHING CARRIER ROLLER



SELF ALIGNING CARRIER ROLLER



TROUGHING IMPACT ROLLER



TongXiang Roller

Hebei TongXiang Conveyor Machinery Co.,Ltd.

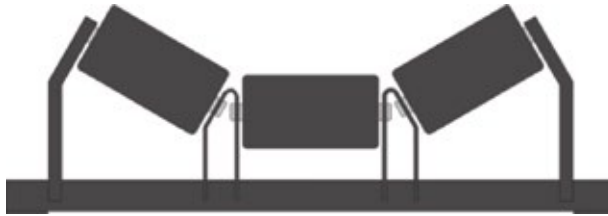
Add: No.8 Chuangye Road, Zaoqiang County, Hengshui City, Hebei Province,China 053000

Tel: +86-311-6656 0874 / 6656 0831

Mobile: +86-136 0321 6223



a



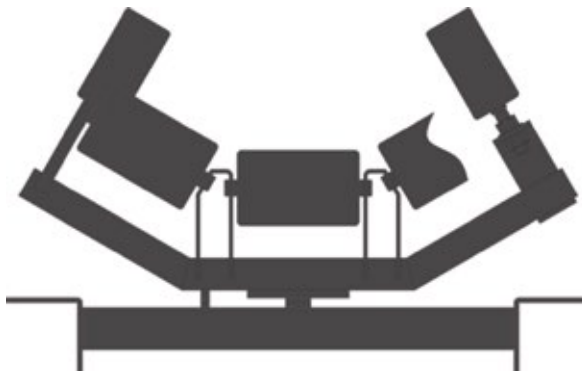
Troughing roller stand for general carrying service is produced with inclination degree of 20°, 30°, 35°, 45°

c



Flat carrier roller stand used to bulk handling material such as preparing foundry sand, package and sort conveyor.

b



Self-aligning carrier roller automatically trains belt and protects edges from damage cause misalignment. It's produced with inclination degree of 30°, 35°, 45°

d



Troughing rubber impact roller stand protects belt by absorbing impact at loading and transfer point. It's produced with inclination degree of 30°, 35°, 45°



Return roller carries the empty belt on return run.



Rubber Disc Return roller used when wet, sticky material tends to cling to the belt. Also used to avoid corrosion .It 's produced in NR or SBR.



Spiral Return roller used to clean from materials that adhere to the belt.
It's produced in spiral rubber.



Self-aligning return roller automatically trains the belt return and protects edges from damage cause by belt misalignment.



Rigid frame V return roller trains the return belt, adds benefit when carrying more capacities. It's produced with inclination degree of 5°,10°and 15°.

CRS

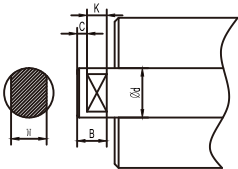
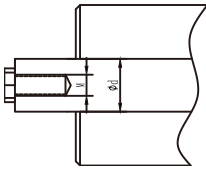
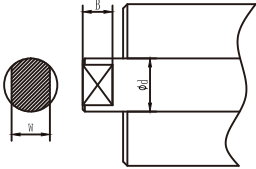
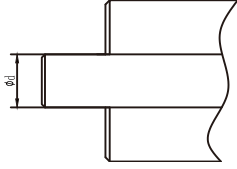
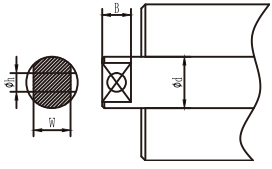
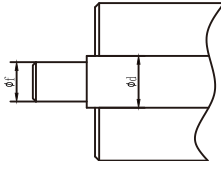
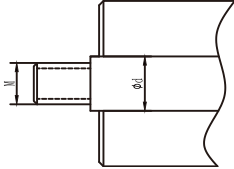

100

30

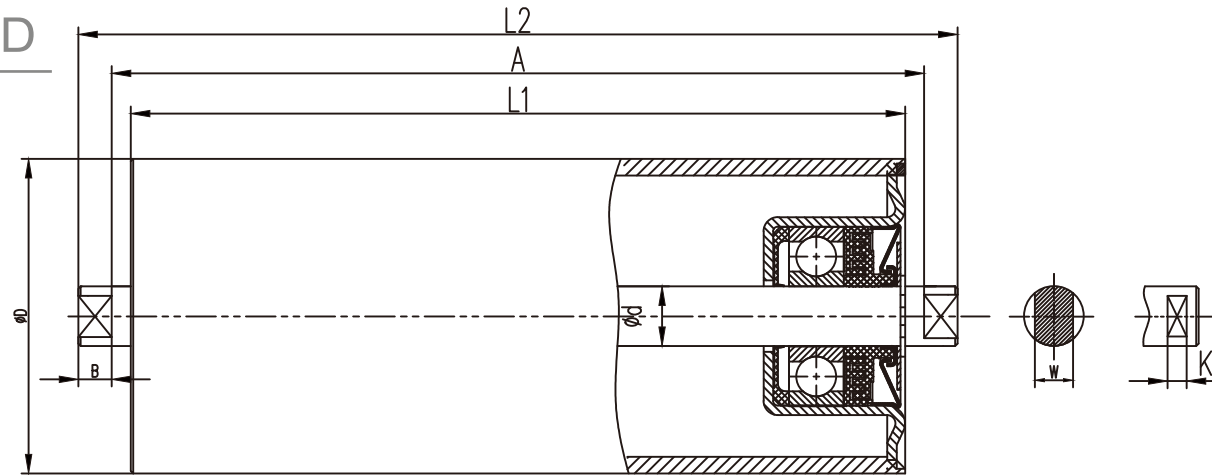
A1

02

Description		Belt Width		Trough Angle	
CR	Carrier Roller	40	400	00	0°/Roller Only
IR	Impact Roller	45	450	05	5°
RR	Return Roller	50	500	10	10°
VR	V - Return Roller	60	600 \varnothing 89.1	15	15°
RDR	Rubber Disc Return Roller	65	650	20	20°
SRR	Spiral Return Roller	61	600 \varnothing 114.3	25	25°
GR	Guide Roller	75	750	30	30°
PEC	HDPE Carrier Roller	80	800	35	35°
PER	HDPE Return Roller	90	900	45	45°
CRS	Carrier Roller Stand	100	1000	Shaft Slot Type See page 7	
IRS	Impact Roller Stand	105	1050		
TRS	Transition Stand	120	1200	Bearing Type 02 Ball Bearing Series 62 03 Ball Bearing Series 63	
RRS	Return Roller Stand	140	1400		
VRS	V - Return Roller Stand	160	1600		
SACR	Self Aligning Carrie Roller	180	1800		
SARR	Self Aligning Return Roller	200	2000		
SAVR	Self Aligning V - Return Roller	220	2200		
HP	Head Pulley	240	2400		
DP	Drive Pulley				
TP	Tail Pulley				
SP	Snub Pulley				
TUP	Take-up Pulley				

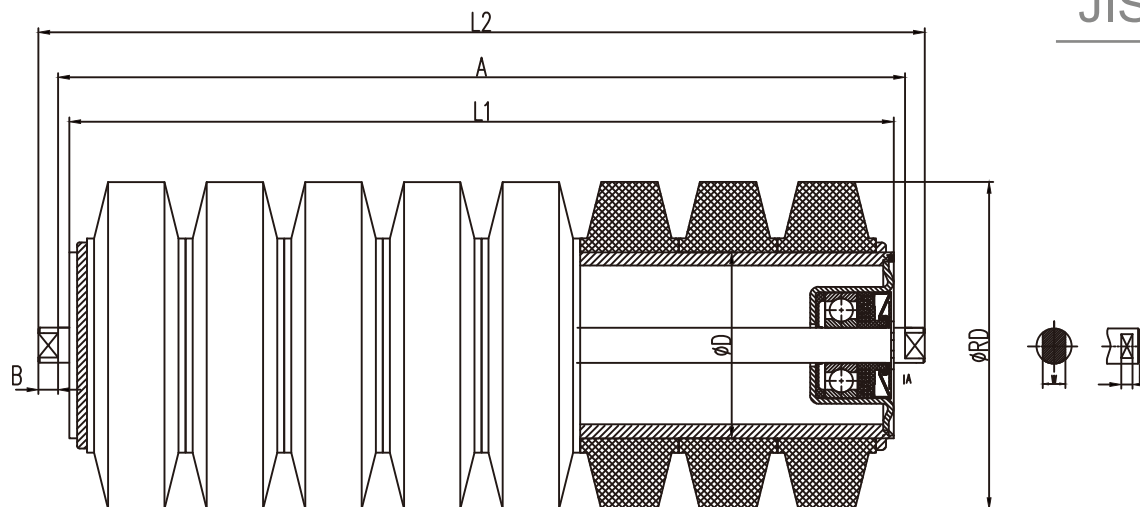
Type	Arrangement	Dimension					Type	Arrangement	Dimension				
		Ød	B	K	C	W			Ød	B	K	C	W
A1		20	11	8	3	14	A5		20	M8	—	—	
		25	15	11	4	18			25	M10	—	—	
		30				22			30	M12	—	—	
		35				25			35	M12	—	—	
		40				31			40	M14	—	—	
		50				42			50	M16	—	—	
A2		20	11	—	—	14	A6		20	—	—	—	
		25	15	—	—	18			25	—	—	—	
		30		—	—	22			30	—	—	—	
		35		—	—	25			35	—	—	—	
		40		—	—	31			40	—	—	—	
		50		—	—	42			50	—	—	—	
A3		20	11	—	—	14	A7		20	Øas required			
		25	15	—	—	18			25				
		30	17	—	—	22			30				
		35	20	—	—	25			35				
		40	20	—	—	31			40				
		50	25	—	—	42			50				
A4		20	M16	—	—	A7		20	Øas required				
		25	M22	—	—			25					
		30	M24	—	—			30					
		35	M32	—	—			35					
		40	M36	—	—			40					
		50	M36	—	—			50					

JIS STANDARD



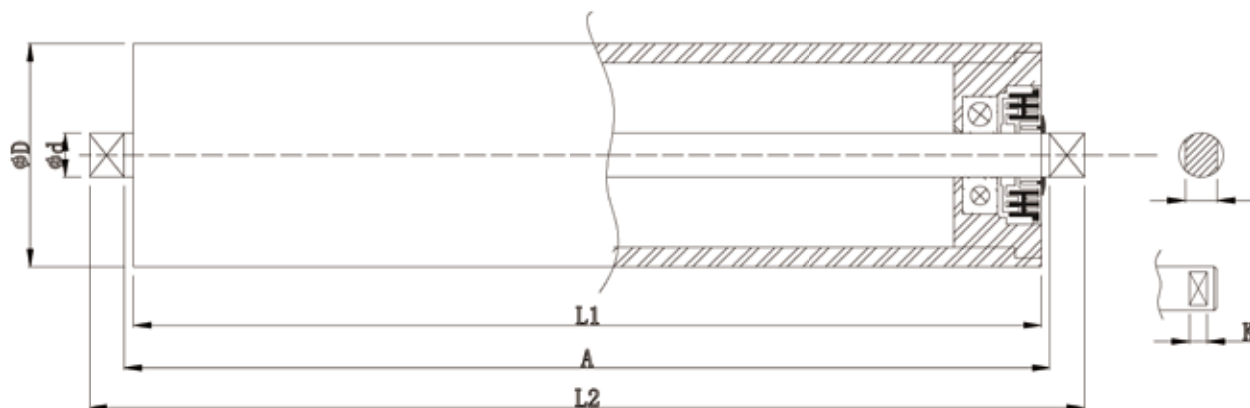
Belt Width	Type	Dimension							Bearing					
		ϕD	ϕd	L1	L2	A	K	B		W				
400	CR-400	$\phi 89.1$	$\phi 20$	145	175	153	8	11	14	6204 2RS				
450	CR-450			165	195	173								
500	CR-500			180	210	188								
600	CR-600-1			210	240	218								
650	CR-650			225	255	233								
600	CR-600-2	$\phi 114.3$	$\phi 20$	210	240	218	11	15	18	6205 2RS				
750	CR-750			265	295	273								
800	CR-800			275	305	283								
900	CR-900			315	345	323								
1000	CR-1000	$\phi 139.8$	$\phi 25$	350	390	360	11	15	22	6206 2RS				
1050	CR-1050			370	410	380								
1200	CR-1200			420	460	430								
1400	CR-1400	$\phi 165.2$	$\phi 30$	500	540	510	11	15	25	6207 2RS				
1600	CR-1600			580	620	590								
1800	CR-1800		$\phi 35$	650	690	660					31	31	31	6208 2RS
2000	CR-2000			730	770	740								
2200	CR-2200			800	840	810								
2400	CR-2400	$\phi 40$	880	920	890									

JIS STANDARD 



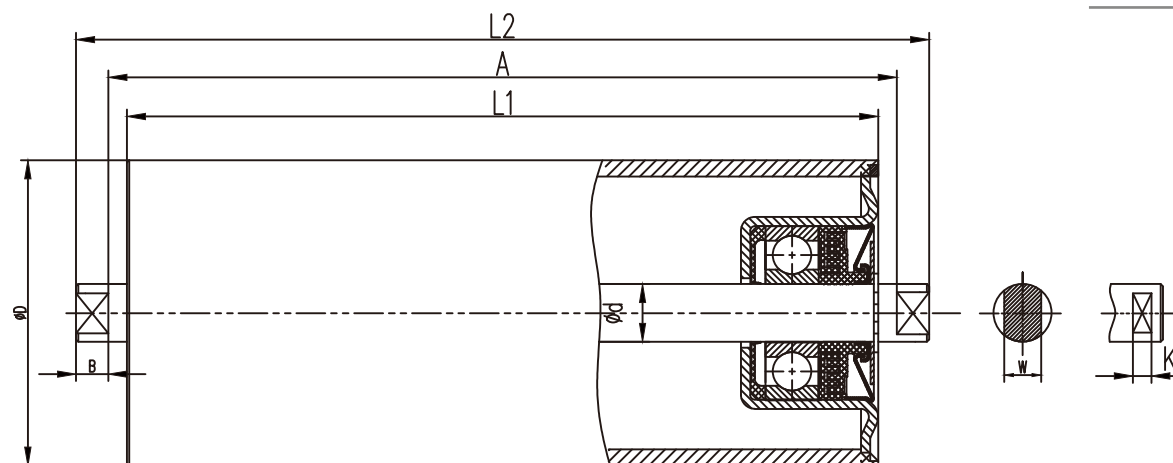
Belt Width	Type	Dimension									Bearing
		ØRD	ØD	Ød	L1	L2	A	K	B	W	
400	IR-400	Ø 90	Ø 60.3	Ø 20	145	175	153	8	11	14	6204 2RS
450	IR-450				165	195	173				
500	IR-500				180	210	188				
600	IR-600-1				210	240	218				
650	IR-650				225	255	233				
600	IR-600-2				210	240	218				
750	IR-750	Ø 115	Ø 76.3	Ø 20	265	295	273	11	15	18	6205 2RS
800	IR-800				275	305	283				
900	IR-900				315	345	323				
1000	IR-1000	Ø 140	Ø 89.1	Ø 25	350	390	360	11	15	22	6206 2RS
1050	IR-1050				370	410	380				
1200	IR-1200				420	460	430				
1400	IR-1400	Ø 166	Ø 114.3	Ø 30	500	540	510	11	15	25	6207 2RS
1600	IR-1600				580	620	590				
1800	IR-1800			Ø 35	650	690	660				
2000	IR-2000				730	770	740				
2200	IR-2200			Ø 40	800	840	810				
2400	IR-2400				880	920	890				

JIS STANDARD



Belt Width	Dimension						HDPE CARRIER ROLLER				HDPE RETURN ROLLER			
	Ø D	Ø d	K	B	W	Bearing	Type	1L	L2	A	Type	L1	L2	A
400	Ø90	Ø20	8	12.5	14	6204 2RS	PEC-400	145	175	153	PER-400	460	505	480
450							PEC-450	165	195	173	PER-450	510	555	530
500							PEC-500	180	210	188	PER-500	560	605	580
600							PEC-600-1	210	240	218	PER-600-1	660	705	680
650							PEC-650	225	255	233	PER-650	710	755	730
600	Ø110	Ø20	8	12.5	14	6204 2RS	PEC-600-2	210	240	218	PER-600-2	660	705	680
750							PEC-750	265	295	273	PER-750	850	905	880
800							PEC-800	275	305	283	PER-800	900	955	930
900	Ø125	Ø20	8	12.5	14	6204 2RS	PEC-900	315	345	323	PER-900	1000	1055	1030
1000							PEC-1000	350	390	360	PER-1000	1100	1162	1140
1050	Ø140	Ø25	11	16	18	6205 2RS	PEC-1050	370	410	380	PER-1050	1150	1212	1180
1200							PEC-1200	420	460	430	PER-1200	1300	1362	1330
1400	Ø160	Ø30	11	17.5	22	6206 2RS	PEC-1400	500	540	510	PER-1400	1510	1585	1550
1600							PEC-1600	580	620	590	PER-1600	1710	1785	1750
1800		Ø35			25	6207 2RS	PEC-1800	650	690	660	PER-1800	2000	2075	2040
2000							PEC-2000	730	770	740	PER-2000	2200	2275	2240
2200							PEC-2200	800	840	810	PER-2200	2400	2475	2440
2400	Ø40	31	6308 2RS	PEC-2400	880	920	890	PER-2400	2600	2675	2640			

JIS STANDARD



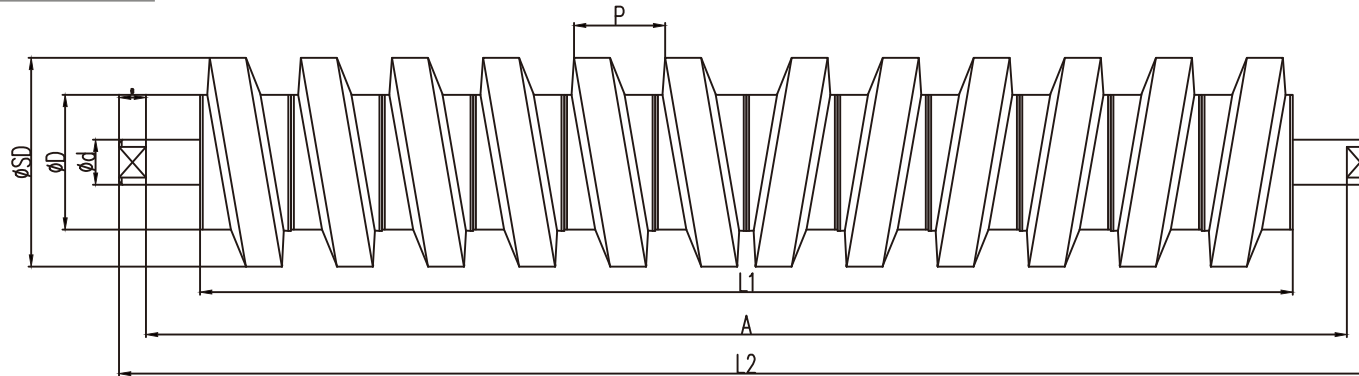
Belt Width	Dimension						RETURN ROLLER			V- RETURN ROLLER				
	ϕD	ϕd	K	B	W	Bearing	Type	L1	L2	A	Type	L1	L2	A
400	$\phi 89.1$	$\phi 20$	8	12.5	14	6204 2RS	RR-400	460	505	480	VR-400	220	250	228
450							RR-450	510	555	530	VR-450	245	275	253
500							RR-500	560	605	580	VR-500	270	300	278
600							RR-600-1	660	705	680	VR-600-1	320	350	328
650							RR-650	710	755	730	VR-650	365	395	373
600							RR-600-2	660	705	680	VR-600-2	320	350	328
750	$\phi 114.3$						RR-750	850	905	880	VR-750	415	445	423
800							RR-800	900	955	930	VR-800	440	475	448
900							RR-900	1000	1055	1030	VR-900	490	520	498
1000	$\phi 139.8$	$\phi 25$	11	16	18	6205 2RS	RR-1000	1100	1162	1140	VR-1000	540	580	550
1050							RR-1050	1150	1212	1180	VR-1050	565	605	575
1200							RR-1200	1300	1362	1330	VR-1200	640	680	650
1400	$\phi 165.2$	$\phi 30$	11	17.5	22	6206 2RS	RR-1400	1510	1585	1550	VR-1400	750	790	760
1600		$\phi 35$			25	6207 2RS	RR-1600	1710	1785	1750	VR-1600	850	890	860
1800					RR-1800	2000	2075	2040	VR-1800	980	1020	990		
2000					RR-2000	2200	2275	2240	VR-2000	1080	1120	1090		
2200					$\phi 40$	31	6308 2RS	RR-2200	2400	2475	2440	VR-2200	1180	1220
2400		RR-2400				2600	2675	2640	VR-2400	1280	1320	1290		

Rubber Spiral Return Roller

TXROLLER

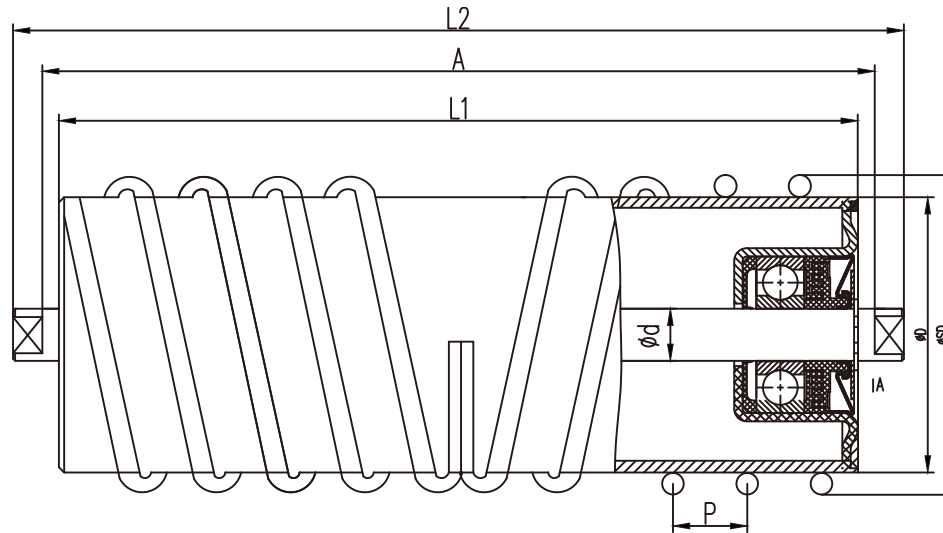
— For bulk material handling —

JIS STANDARD



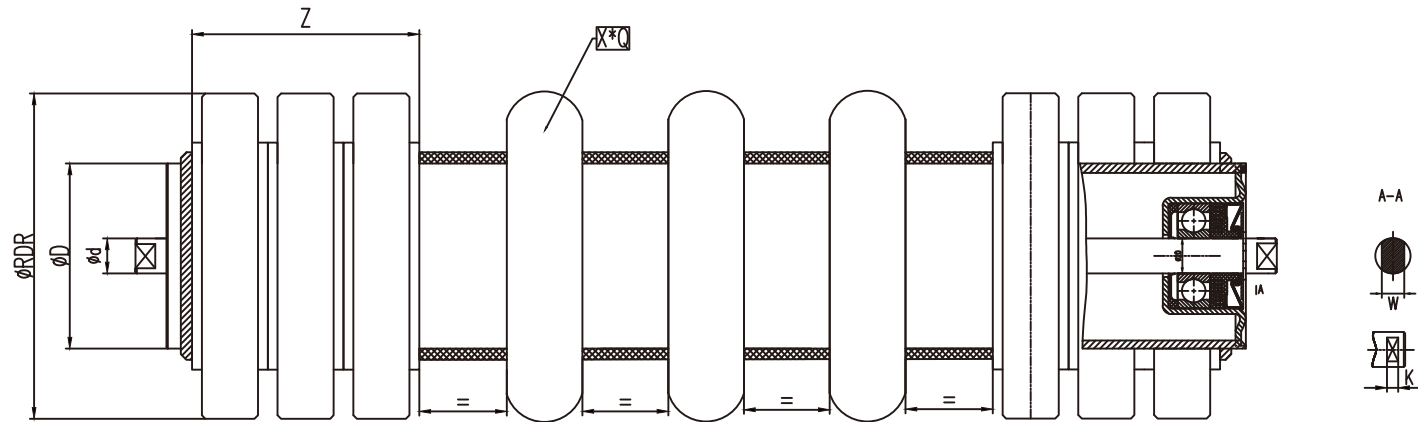
Belt Width	Type	Dimension											Bearing
		ØSD	ØD	Ød	øw	P	L1	L2	A	K	B	W	
400	SRR-400	Ø 90.3	Ø 76.3	Ø 20	7	40	460	505	480	8	12.5	14	6204 2RS
450	SRR-450						510	555	530				
500	SRR-500						560	605	580				
600	SRR-600-1						660	705	680				
650	SRR-650						710	755	730				
600	SRR-600-2	Ø115.1	Ø 89.1			50	660	705	680				
750	SRR-750						850	905	880				
800	SRR-800						900	955	930				
900	SRR-900						1000	1055	1030				
1000	SRR-1000	Ø140.3	Ø114.3	Ø 25	13	60	1100	1162	1140		16	18	6205 2RS
1050	SRR-1050						1150	1212	1180				
1200	SRR-1200						1300	1362	1330				
1400	SRR-1400	Ø165.8	Ø139.8	Ø 30		65	1510	1585	1550	11		22	6206 2RS
1600	SRR-1600			1710			1785	1750					
1800	SRR-1800			Ø 35			2000	2075	2040				
2000	SRR-2000			2200			2275	2240					
2200	SRR-2200			2400			2475	2440					
2400	SRR-2400			Ø 40			2600	2675	2640				
											17.5	25	6207 2RS
												31	6308 2RS

JIS STANDARD



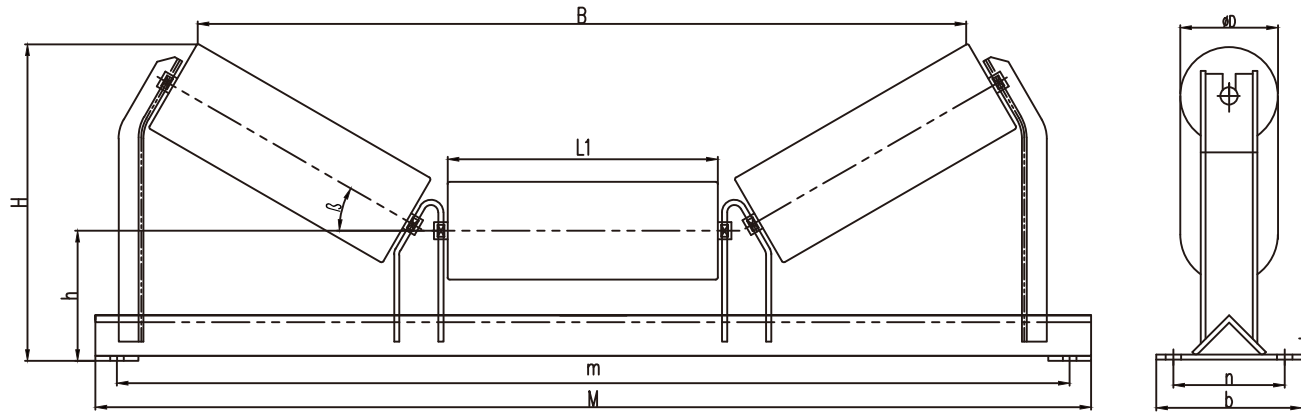
Belt Width	Type	Dimension											Bearing
		ϕSD	ϕD	ϕd	ϕw	p	L1	L2	A	K	B	W	
400	SRR-400	$\phi 90.3$	$\phi 76.3$	$\phi 20$	7	40	460	505	480	8	12.5	14	6204 2RS
450	SRR-450						510	555	530				
500	SRR-500						560	605	580				
600	SRR-600-1						660	705	680				
650	SRR-650						710	755	730				
600	SRR-600-2	$\phi 115.1$	$\phi 89.1$	$\phi 20$	13	50	660	705	680	11	16	18	6205 2RS
750	SRR-750						850	905	880				
800	SRR-800						900	955	930				
900	SRR-900						1000	1055	1030				
1000	SRR-1000						1100	1162	1140				
1050	SRR-1050	$\phi 140.3$	$\phi 114.3$	$\phi 25$	13	60	1150	1212	1180	11	17.5	22	6206 2RS
1200	SRR-1200						1300	1362	1330				
1400	SRR-1400						1510	1585	1550				
1600	SRR-1600						1710	1785	1750				
1800	SRR-1800						2000	2075	2040				
2000	SRR-2000	$\phi 165.8$	$\phi 139.8$	$\phi 35$	13	65	2200	2275	2240	11	17.5	25	6207 2RS
2200	SRR-2200						2400	2475	2440				
2400	SRR-2400						2600	2675	2640				

JIS STANDARD



Belt Width	Type	Dimension												
		ϕRDR	ϕD	ϕd	V	Z	L1	L2	A	K	B	W	X*q	
400	RDR-400	$\phi 90$	$\phi 60.3$	$\phi 20$	20	90	460	505	480	8	12.5	14	30*2	
450	RDR-450						510	555	530				30*3	
500	RDR-500						560	605	580				30*3	
600	RDR-600-1						660	705	680				30*4	
650	RDR-650						710	755	730				30*5	
600	RDR-600-2	$\phi 115$	$\phi 76.3$	$\phi 20$	25	120	660	705	680	11	16	18	30*3	
750	RDR-750						850	905	880				30*5	
800	RDR-800						900	955	930				30*5	
900	RDR-900						1000	1055	1030				30*6	
1000	RDR-1000	$\phi 140$	$\phi 89.1$	$\phi 25$	25	160	1100	1162	1140	11	17.5	22	30*5	
1050	RDR-1050						1150	1212	1180				30*5	
1200	RDR-1200						1300	1362	1330				30*6	
1400	RDR-1400	$\phi 166$	$\phi 114.3$	$\phi 30$	25	200	1510	1585	1550	11	17.5	25	30*5	
1600	RDR-1600						1710	1785	1750				30*5	
1800	RDR-1800			$\phi 35$			2000	2075	2040				31	30*6
2000	RDR-2000						2200	2275	2240					30*7
2200	RDR-2200						2400	2475	2440					30*8
2400	RDR-2400						2600	2675	2640					30*9

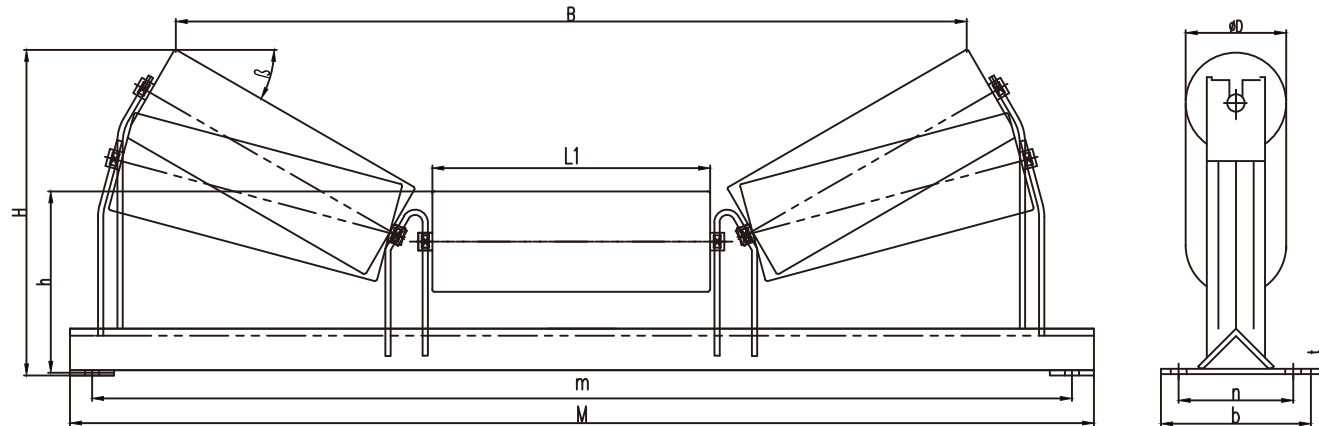
JIS STANDARD



Belt Width	Type	Dimension																	
		ØD	L1	m	M	h	n	b	t	Z	β=20°		β=30°		β=35°		β=45°		Angle
											B	H	B	H	B	H	B	H	
400	CRS-400	89.1	145	640	690	125	140	190	6	M12	465	223	426	246	-	-	-	-	L50xt6
450	CRS-450		165	690	740						522	230	481	256	-	-	-	-	
500	CRS-500		180	740	790						652	261	604	294	-	-	-	-	
600	CRS-600-1		210	840	890	140	150	200	6		695	266	640	302	-	-	-	-	
650	CRS-650	225	890	940	643					282	610	317	589	333	546	364			
600	CRS-600-2	114.3	210	840	890	150	160	210	6	M12	802	301	760	344	734	365	678	403	L75xt6
750	CRS-750		265	1040	1090						830	304	787	349	760	370	702	410	
800	CRS-800		275	1090	1140						946	318	897	369	866	393	799	438	
900	CRS-900		315	1190	1240						1057	374	998	431	961	456	882	504	
1000	CRS-1000	139.8	350	1290	1340	180	180	230	6	M12	1115	381	1053	441	1014	468	931	519	L90xt8
1050	CRS-1050		370	1340	1390						1295	398	1190	466	1146	497	1052	555	
1200	CRS-1200		420	1490	1540						1490	508	1414	589	1370	627	1261	697	
1400	CRS-1400		500	1730	1790						250	280	340	9	M16	1720	535	1633	
1600	CRS-1600	580	1930	1990	1922	589	1824	694	1766	743						1623	833		
1800	CRS-1800	650	2220	2280	280	330	390	9	M20	2152						617	2042	734	1977
2000	CRS-2000	730	2420	2480						300	330	390	12	M20	-	-	2234	789	2161
2200	CRS-2200	800	2620	2680	-	-	2452	829	2372						895	2178	1016		
2400	CRS-2400	880	2820	2880															

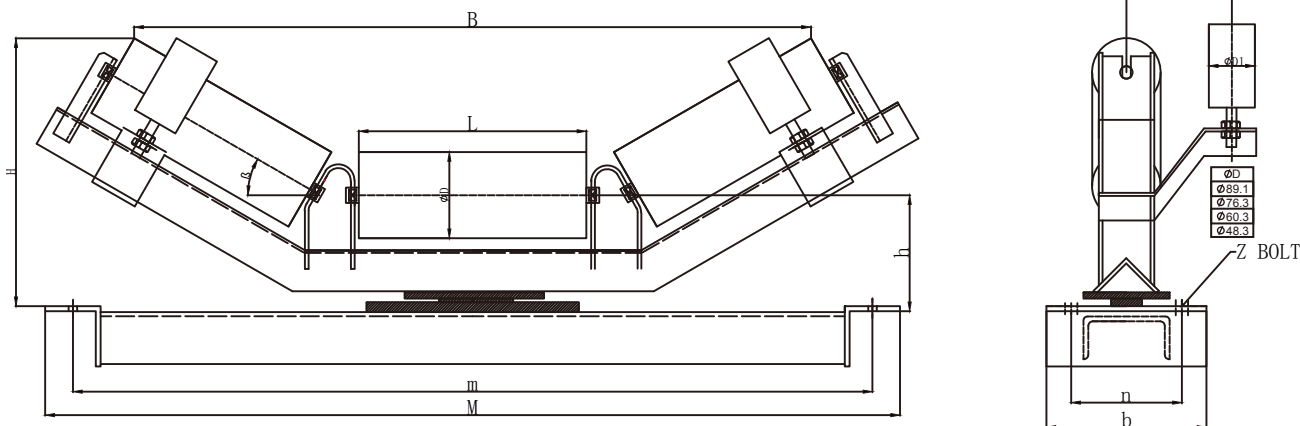
JIS STANDARD

05°~20°
05°~30°



Belt Width	Type	Dimension														Z	Angle
		ϕD	L1	m	M	h	n	b	t	$\beta=5^\circ$		$\beta=20^\circ$		$\beta=30^\circ$			
										B	H	B	H	B	H		
400	TRS-400	$\phi 89.1$	145	640	690	125	140	190	6	506	184	465	223	426	246	M12	L50xt6
450	TRS-450		165	690	740					566	186	522	230	481	256		
500	TRS-500		180	740	790					611	187	565	235	522	264		
600	TRS-600-1	210	840	890	140	150	200	6	700	204	652	261	604	294	L60xt6		
650	TRS-650	225	890	940					744	205	695	266	640	302			
600	TRS-600-2	210	840	890					698	227	643	282	610	317			
750	TRS-750	$\phi 114.3$	265	1040	1090	150	160	210	6	863	232	802	301	760	344	L75xt6	
800	TRS-800		275	1090	1140					874	251	830	304	787	349		
900	TRS-900		315	1190	1240					1012	236	946	318	897	369		
1000	TRS-1000	$\phi 139.8$	350	1290	1340	180	180	230	6	1135	282	1057	374	998	431	L90xt8	
1050	TRS-1050		370	1340	1390					1195	284	1115	381	1053	441		
1200	TRS-1200		420	1490	1540					1344	288	1259	398	1190	466		
1400	TRS-1400	$\phi 165.2$	500	1730	1790	250	280	340	9	1592	378	1490	508	1414	589	M16	L100xt9
1600	TRS-1600		580	1930	1990					1831	385	1720	535	1633	629		
1800	TRS-1800		650	2220	2280					2040	421	1922	589	1824	694		
2000	TRS-2000		730	2420	2480	2280	428	2152	617	2042	734	M20	L130xt12				
2200	TRS-2200		800	2620	2680	2489	454	2210	667	2234	789						
2400	TRS-2400		880	2820	2880	2729	461	2430	795	2452	829						

JIS STANDARD



Belt Width	Type	ØD	Dimension										Channel					
			L1	m	M	h	n	b	t	r	β=20°		β=30°		β=35°		β=45°	
											B	H	B	H	B	H	B	H
400	SACR-400	89.1	145	640	690	135	140	190	6	150	535	321	465	349	-	-	-	-
450	SACR-450		165	690	740						583	326	511	356	-	-	-	-
500	SACR-500		180	740	790						636	333	561	366	-	-	-	-
600	SACR-600-1		210	840	890	150	200	6	731		360	651	399	-	-	-	-	
650	SACR-650		225	890	940				774		365	692	406	-	-	-	-	
600	SACR-600-2	114.3	210	840	890	160	160	210	6	180	741	386	664	427	625	445	546	477
750	SACR-750		265	1040	1090						870	401	797	449	754	470	665	523
800	SACR-800		275	1090	1140						898	404	824	454	770	475	689	530
900	SACR-900		315	1190	1240						1014	418	933	474	885	499	785	544
1000	SACR-1000		350	1290	1340						1137	473	1045	535	992	563	880	613
1050	SACR-1050	139.8	370	1340	1390	190	180	230	6	180	1195	480	1100	545	1045	575	928	527
1200	SACR-1200		420	1490	1540						1339	497	1237	570	1177	603	1049	662
1400	SACR-1400	165.2	500	1730	1790	260	280	340	9	250	1515	594	1413	676	1355	714	1220	782
1600	SACR-1600		580	1930	1990						1718	617	1605	709	1542	752	1392	828
1800	SACR-1800		650	2220	2280	290	330	390	9	250	1910	669	1788	771	1718	819	1553	904
2000	SACR-2000		730	2420	2480						2103	689	1972	801	1896	853	1718	946
2200	SACR-2200		800	2620	2680						-	-	2163	856	2081	914	1887	1016
2400	SACR-2400	880	2820	2880	-	-	2382	896	2292	960	2080	1072						

* Support roller for
BW 1400-2400 Only

Z Bolt :

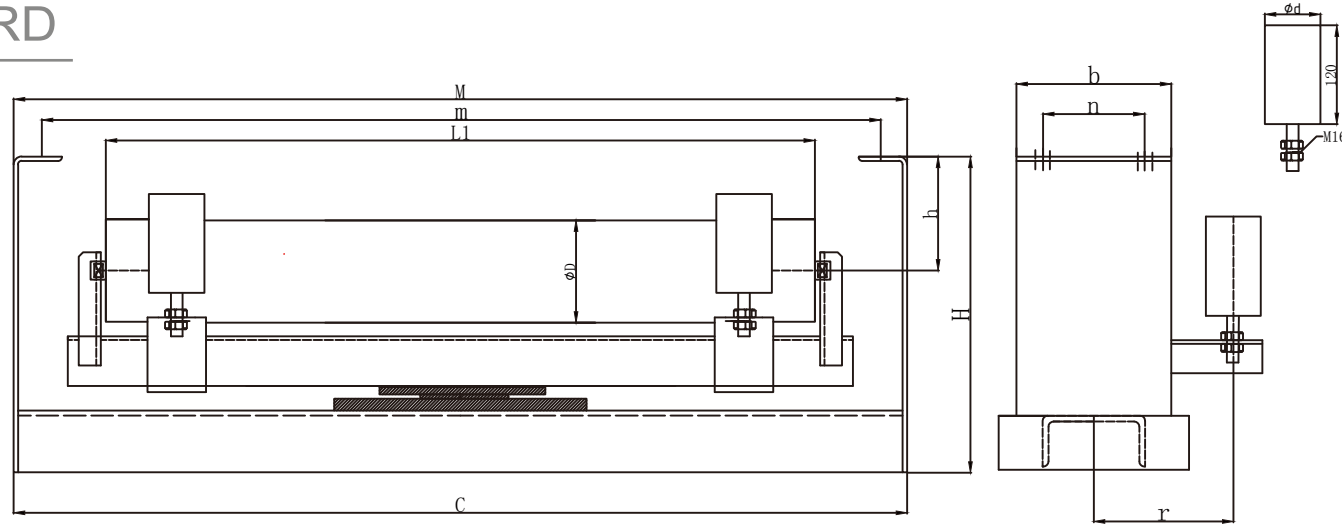
M12 for BW 400-1200
M16 for BW 1400 2000
M20 for BW 2200-2400

Self-aligning Return Stand

TXROLLER

— For bulk material handling —

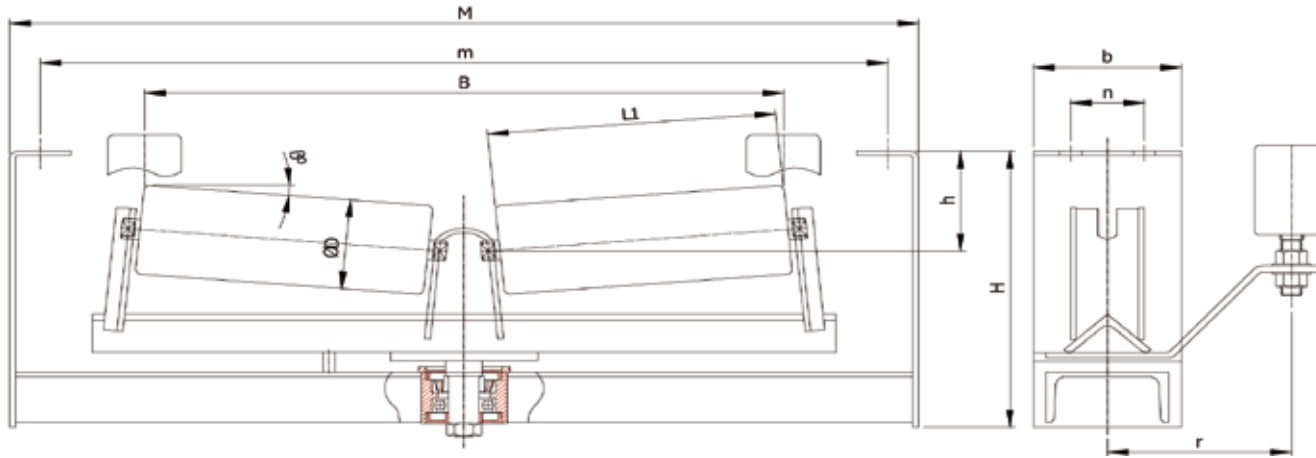
JIS STANDARD



* Support roller for
BW 1400-2400 Only

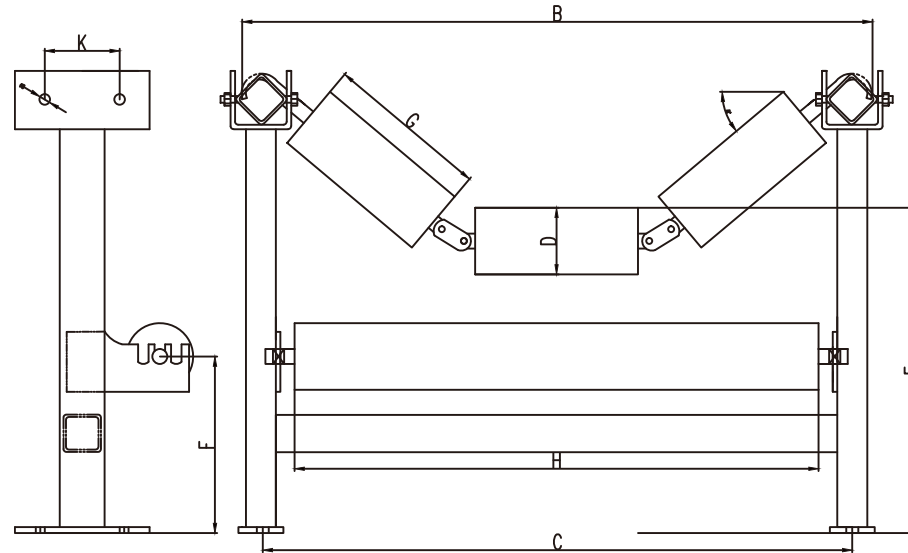
Belt Width	Type	Dimension										z	Channel
		ØD	L1	m	M	h	n	b	t	r	H		
400	SARR-400	Ø 89.1	460	640	690	100	60	120	6	150	290	M12	100x50x5
450	SARR-450		510	690	740								
500	SARR-500		560	740	790								
600	SARR-600-1		660	840	890								
650	SARR-650	710	890	940	100	60	120	6	180	305			
600	SARR-600-2	660	840	890									
750	SARR-750	850	1040	1090									
800	SARR-800	900	1090	1140									
900	SARR-900	1000	1190	1240	120	100	170	6	180	335			
1000	SARR-1000	1100	1290	1340									
1050	SARR-1050	1150	1340	1390									
1200	SARR-1200	1300	1490	1540	160	120	200	6	250	530	M16	150x75x6	
1400	SARR-1400	1510	1730	1790									
1600	SARR-1600	1710	1930	1990									
1800	SARR-1800	2000	2220	2280									
2000	SARR-2000	2200	2420	2480	180	150	250	9	250	560	M20	200x80x7	
2200	SARR-2200	2400	2620	2680									
2400	SARR-2400	2600	2820	2880									

JIS STANDARD

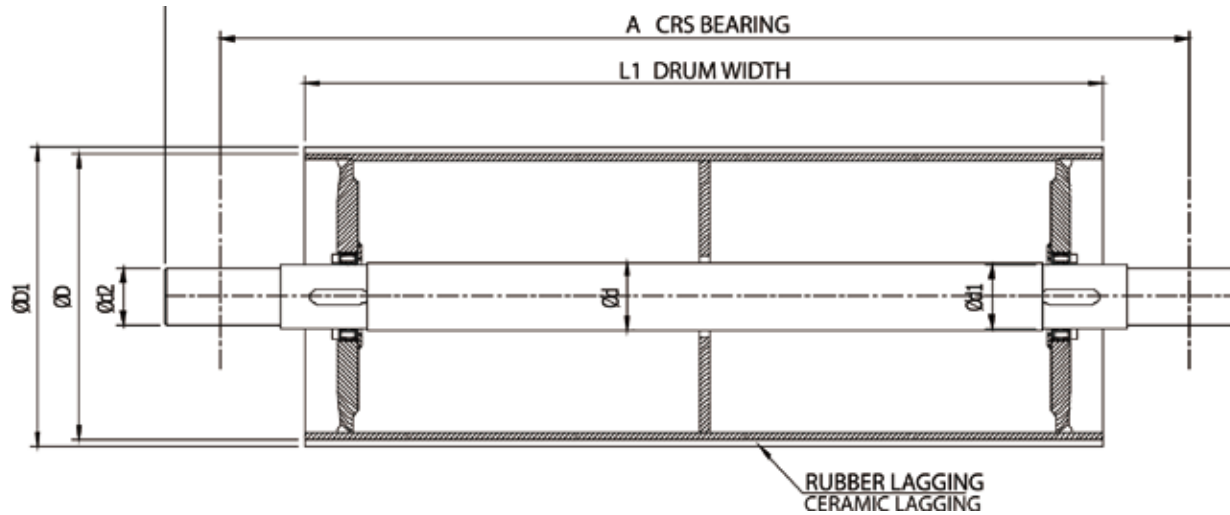


Belt Width	Type	Dimension										z	Channel						
		ϕD	L1	m	M	h	n	b	t	r	$\beta=5^\circ$								
											B			H					
400	SAVR-400	89.1	220	640	690	100	60	120	6	150	584	290	M12	100x50x5					
450	SAVR-450		245	690	740						634								
500	SAVR-500		270	740	790						684								
600	SAVR-600-1		320	840	890						783								
650	SAVR-650		365	890	940						872								
600	SAVR-600-2	114.3	320	840	890	100	60	120	6	180	800	305							
750	SAVR-750		415	1040	1090						950								
800	SAVR-800		440	1090	1140						999								
900	SAVR-900		490	1190	1240						1099								
1000	SAVR-1000		139.8	540	1290						1340				120	100	170	6	180
1050	SAVR-1050	565		1340	1390	1267													
1200	SAVR-1200	640		1490	1540	1416													
1400	SAVR-1400	165.2		750	1730	1790	160	120	200	6	250	1614	550						
1600	SAVR-1600			850	1930	1990						1813							
1800	SAVR-1800		980	2220	2280	2022													
2000	SAVR-2000		1080	2420	2480	2222													
2200	SAVR-2200		1180	2620	2680	2431						590		M20	200x80x7				
2400	SAVR-2400	1280					2820	2880	2630										

TongXiang produces with inclination degree of 5°, 10°, 15°



Structure				Dimensions Roller				Total Weight					
Belt Width	Length	Width	Clearance	Height	102 Dia.		127 Dia.		Dimensions		Per Section		
					Unloaded	Loaded	Unloaded	Loaded	G	H	102 Roll	127 Roll	
mm	in	mm	mm	mm	mm	mm	mm	mm	mm	mm	kg	kg	
600	24	3048	1007	826	648	540	493	-	-	224	700	86.4	-
650	26	3048	1057	876	648	533	486	-	-	240	750	88.3	-
750	30	3048	1159	978	740	606	559	618	517	280	900	93.9	100
800	32	3048	1210	1030	740	599	552	611	564	295	950	95.8	102
900	36	3048	1311	1130	740	583	535	595	547	330	1050	99.5	106
		2743										96.9	103
1000	40	3048	1416	1235	740	569	521	581	533	360	1175	108.5	116
		2743										105.9	113
1050	42	2743	1464	1283	778	597	548	610	562	380	1210	110.1	117
		2438										107.1	114
1200	48	2743	1616	1435	838	-	-	646	598	432	1360	-	125
		2438											122



Belt Width	Drum length of Pulley	
	mm	Inch
400	500	19
450	550	21
500	600	24
600	700	28
750	900	36
800	1000	39
900	1100	43
1000	1200	47
1050	1250	49
1200	1400	55
1400	1600	63
1600	1800	71
1800	2000	78
2000	2200	87
2200	2400	95
2400	2600	102

Hebei TongXiang Conveyor Machinery CO.,LTD is a modern company, manufacture conveyor rollers & accessories, including rollers, pulleys and roller frames, widely used for bulk material handling industries.

In addition,we can fabricate these rollers in OEM service. And manufacture in different standard, JIS CEMA DIN SABS AS standard is available, or as clients' drawing. With more than ten years' experience and professional engineers,we can meet different clients' requirements.

Standard design of pulley:

- Key type
- Power Lock
- Taper Lock

Lagging Type :

- Hot vulcanized lagging
- Ceramic lagging

Hebei TongXiang Conveyor Machinery Co.,Ltd.

Add: No.8 Chuangye Road, Zaoqiang County, Hengshui City, Hebei Province,China 053000

Tel: +86-311-6656 0874 / 6656 0831

Mobile: +86-136 0321 6223

Email: sales@txroller.com

Website: www.txroller.com

